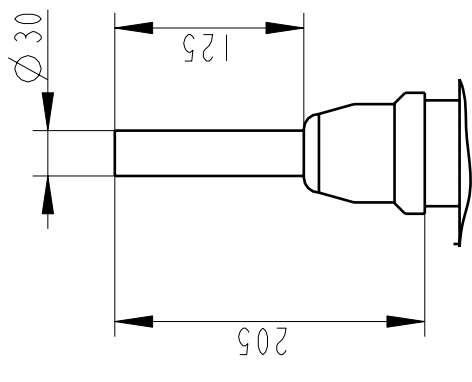
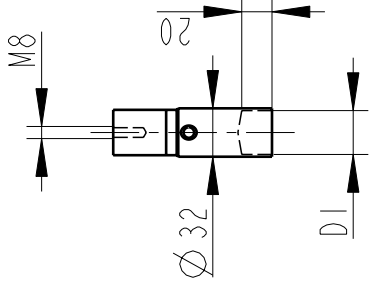


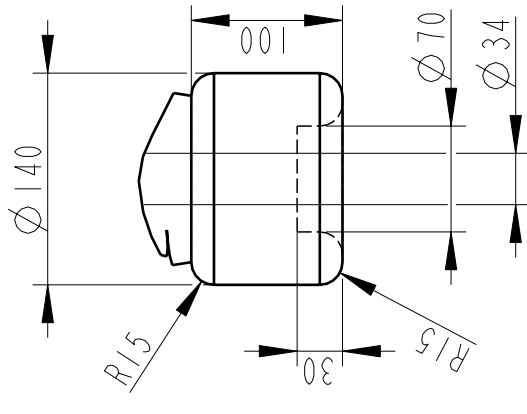
OUTER TERMINAL



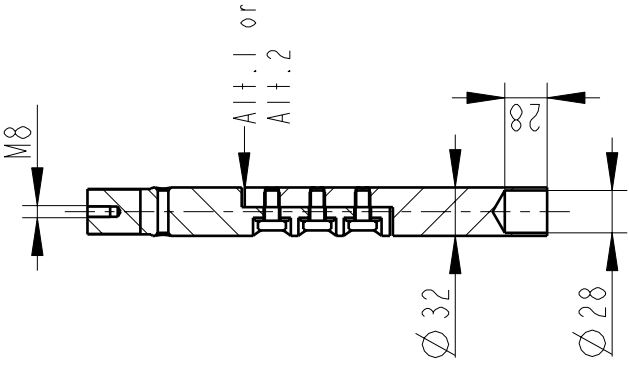
INNER TERMINAL FOR STRANDED CABLE



END SHIELD



SOLID ROD CONNECTOR



The solid rod can be divided either:
 Alt.1: 20mm below the bushing flange or
 Alt.2: 20mm below the upper end of the bottom porcelain

Bushing Data:

Rated Voltage	170	kV
Phase to Ground Voltage	145	kV
Dry Lightning Impulse 1,2/50µs	650	kV
Wet power frequency AC	275	kV
Routine test Imin dry 50Hz	300	kV
Rated Current	1250	A
Creepage Distance	4080±110	mm
Creepage Distance Protected	1620	mm
Mass	128	kg

Ordering Data:

BUSHING	COLOUR AIR INSULATOR	
LF123194-K	BROWN	
-L	LIGHT GREY	
OUTER TERMINAL		
LF 170 002-B	Cu, Ø30, L=125	
LF 170 001-B	Al, Ø30, L=125	
OTHER TYPES ON REQUEST		
INNER TERMINAL FOR STRANDED CABLE		
For brazing	Conductor area	D1
LF 170 011-T	up to 285mm ²	Ø29
LF 170 011-V	Undrilled with pilot hole Ø5	
SOLID ROD CONNECTOR		
LF 170 052 -AG	for Alt.1	
LF 170 052 -AH	for Alt.2	

ABB Components		Ludvika, Sweden	
No.	U / S / AC	kV tr	A 50/60 Hz
M	kg L	mm V	IV
C1	pf	Tan δ	r
C2	pf	Tan δ	r

Based on	Reg. No.
Prepared	Responsible department
LÖVnord	COM/BK
Approved	Take over department
Johansson	Database
Design engineering review	
Hedlund	

Title	Language
GOB 650-1250-0.5	
WITH OIL LEVEL GAUGE	
SHORT END SHIELD	
Page	
I(1)	
Document No.	
2751369-221	

ABB ABB Components

We reserve all rights in this document and in the information contained therein. Reproduction, use or disclosure to third parties without express authority is strictly forbidden.
 ©ABB